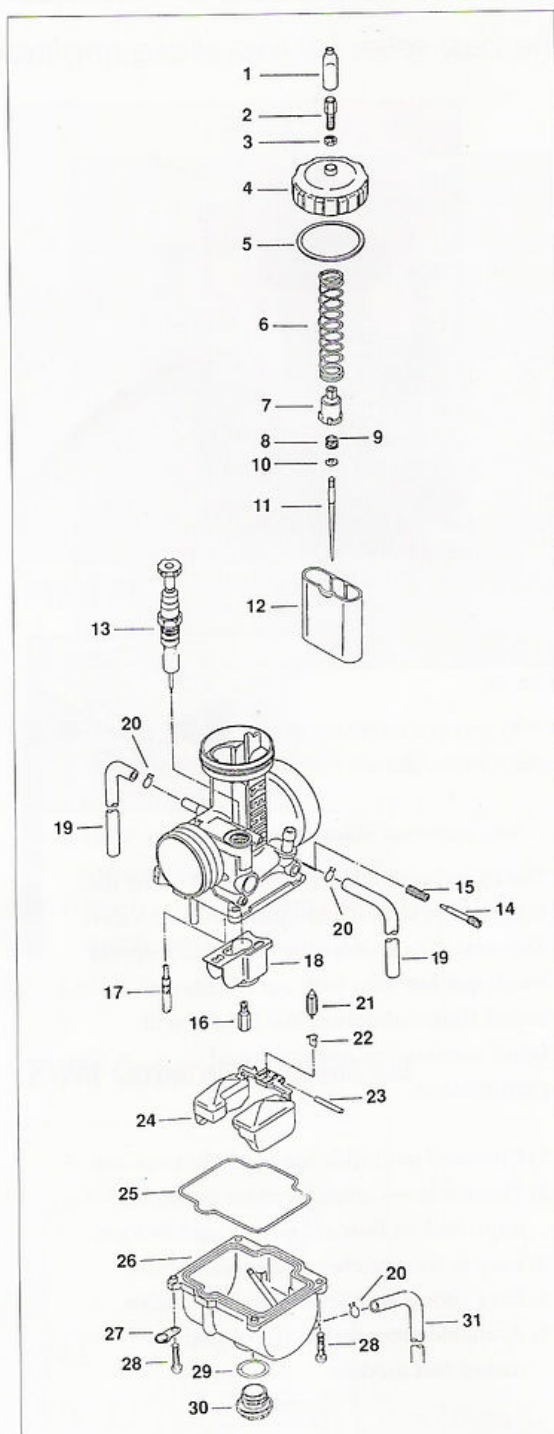




www.spracing.ch

KEIHIN PJ



NO.	DESCRIPTION	PART NO.		
		34MM	36MM	38MM
1	Cap, Cable Adj.	16118-166-0040	←	←
2	Cable Adjuster	W9581-59250	←	←
3	Nut, Cable Adj.	W1793-130-9900	←	←
4	Top	W1591-130-9910	←	W1591-131-9910
5	Gasket, Top	16110-NC8-0040	←	16110-ND5-7610-M1
6	Throttle Spring	16050-KA3-7610-M1	16050-KA4-7710-M1	16050-KA5-6910-M1
7	Cable Holder	16137-KA3-7610-M1	←	←
8	Collar	16066-KA3-7610-M1	←	←
9	Spring	16051-KA3-7610-M1	←	←
10	Clip, Jet Needle	16115-169-0040	←	←
11	Jet Needle	N427-48xxx	←	←
12	Throttle Valve	W1502-2Jx-9900	N502-22xx 0-00	N502-23xx 0-00
13	Starter Valve	16046-KA3-7610-M1	←	16046-KA5-6911
14	Air Adj. Screw	W1446-231-9900	←	←
15	Spring	W1711-416-9900	←	←
16	Main Jet	99101-357-xxx0	←	←
17	Slow Jet	N424-21xxx	←	←
18	Buffer Plate	16185-KA3-7610-M1	←	←
19	Bowl Vent Pipe	95003-07033-31	←	←
20	Clip	W9535-35000	←	←
21	Float Valve	16155-ND4-7510-M1	←	←
22	Clip, Float Valve	W1782-013-9900	←	←
23	Float Pin	W9525-25250	←	←
24	Float	W1310-079-9921	←	←
25	Gasket, Float Bowl	16163-ND4-7510-M1	←	←
26	Float Bowl	W1350-289-9910	←	←
27	Anchor Plate	16179-428-6711	←	←
28	Screw, Float Bowl	93892-04016-18	←	←
29	Plug Screw Washer	16173-001-0040	←	←
30	Plug Screw	16162-ND4-7511-M1	←	←
31	Overflow Pipe	95003-05027-31	←	←

NOTE: Ask dealer for details if you see xxx-xxx on part numbers.

